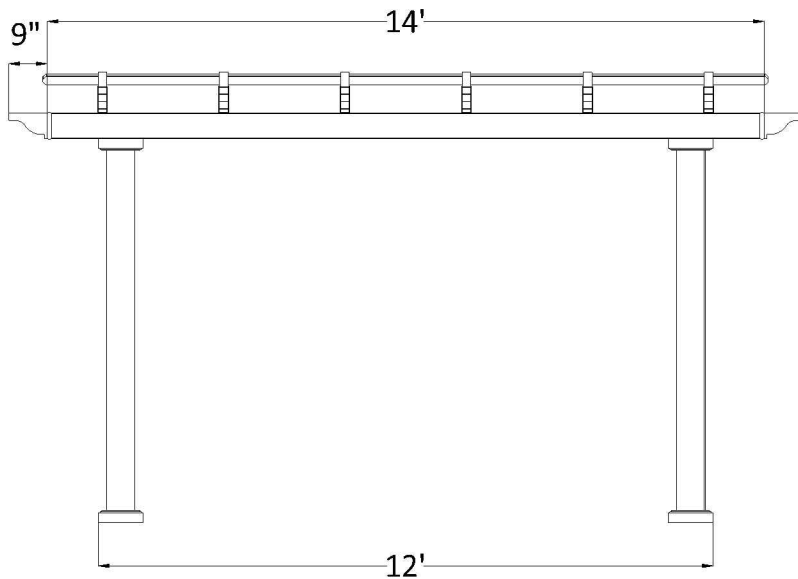


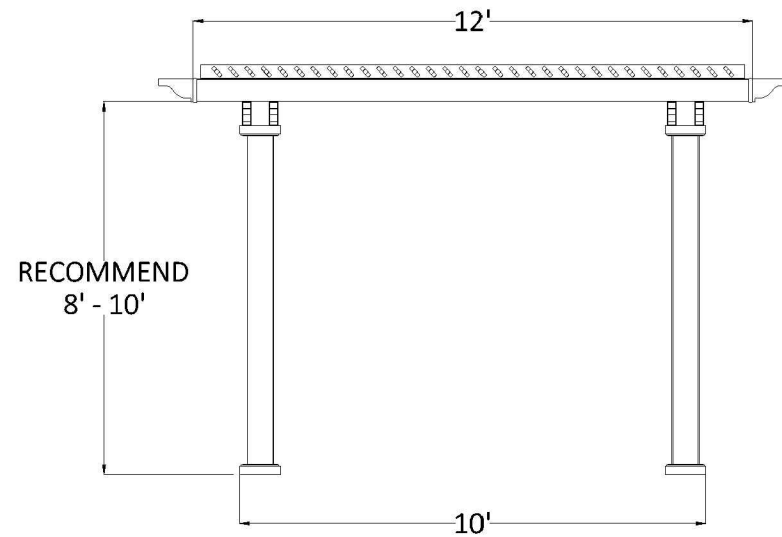
FRONT ELEVATION



POST ON CENTER MEASUREMENT

POST STYLE	INCHES
5" Square Post (7" base)	139
7" Square Column (10 1/2" base)	133 1/2
7" Round Column (10 1/2" base)	133 1/2
10" Round Column (12 1/4" base)	131 3/4

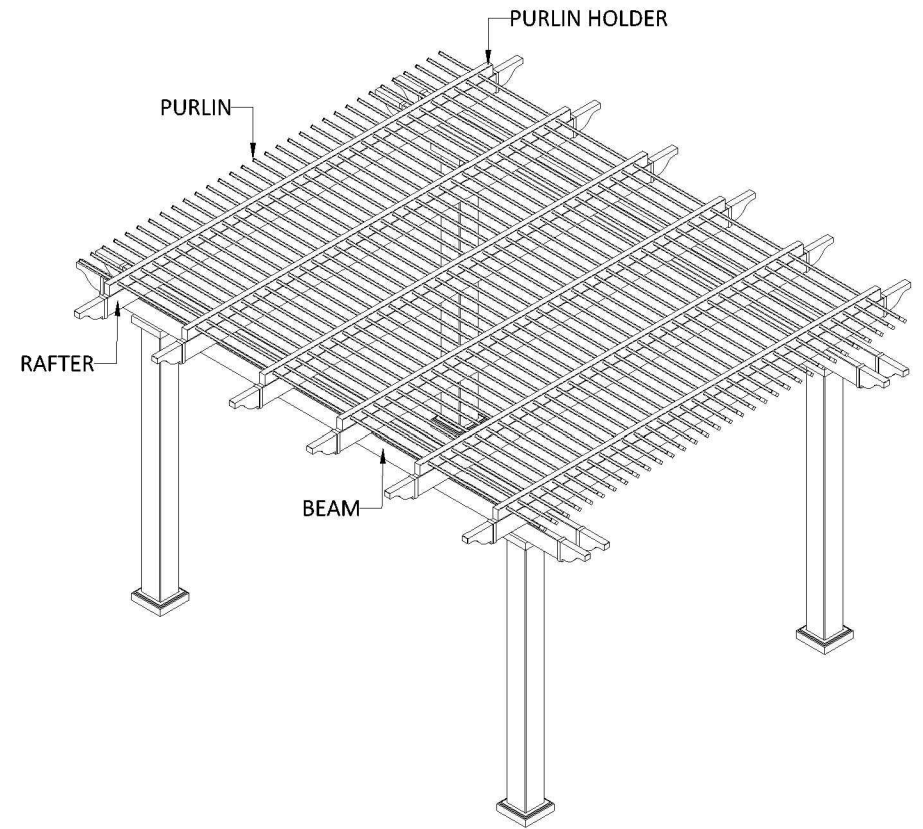
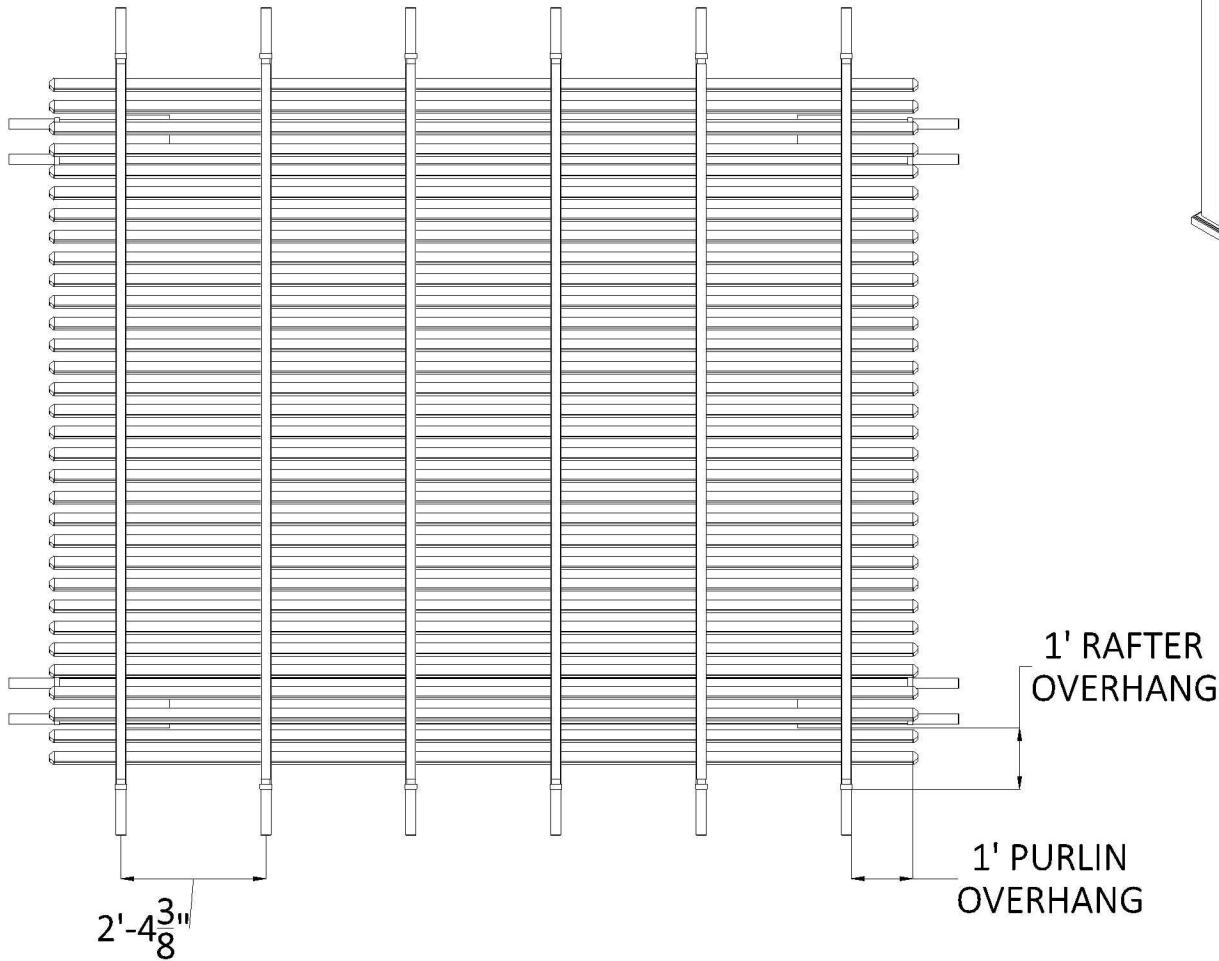
SIDE ELEVATION



POST ON CENTER MEASUREMENT

POST STYLE	INCHES
5" Square Post (7" base)	115
7" Square Column (10 1/2" base)	109 1/2
7" Round Column (10 1/2" base)	109 1/2
10" Round Column (12 1/4" base)	107 3/4

PLAN VIEW



KIT COMPONENTS

DESCRIPTION	QUANTITY
Your Selected Post with Aluminum Insert	4
2 X 6 Beam with Aluminum Insert	4
2 X 6 Rafter with Aluminum Insert	6
2 X 6 Pergola Cap	20
2 X 3 $\frac{1}{2}$ Purlin Holder	6
2 X 3 $\frac{1}{2}$ Flat Cap	12
$\frac{7}{8}$ X 3 Purlin (75% Shade)	34
$\frac{7}{8}$ X 3 Purlin Cap	68

12' x 14' FREESTANDING PERGOLA

www.backyardlivingstructures.com

800-352-1672

